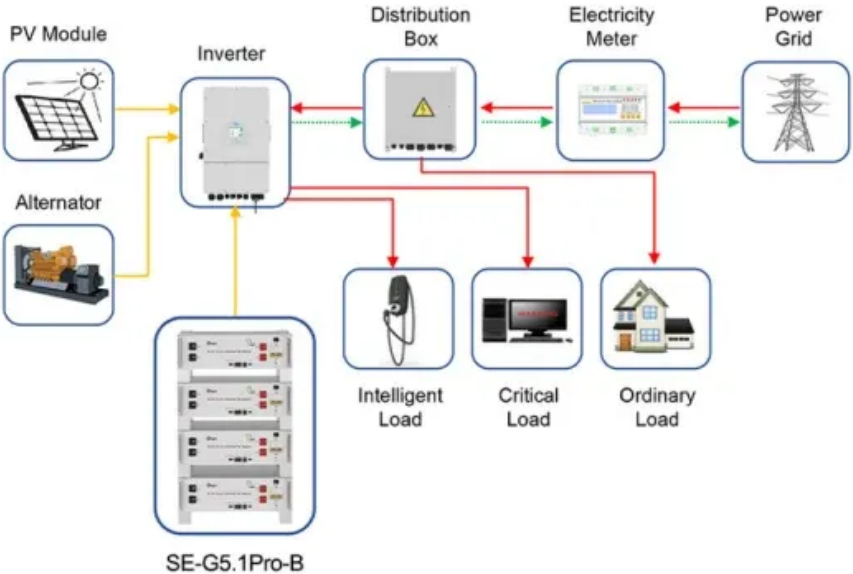


After-sales service for high-voltage outdoor telecom cabinets



Application scenarios of energy storage battery products



After-sales service for high-voltage outdoor telecom cabinets



[Graybar , Electrical Supply, Datacom & Industrial Equipment Distributors](#)

Graybar lighting specialists stand prepared to help clients of all sizes plan, design and execute the right solution to unleash the full power of LED. Graybar makes it easy from the job site to the front office.

Telecom System Integration and Outdoor Network

Westell offers secure, weather-tight outdoor network enclosures to protect electronic equipment for outdoor telecom networks.



Outdoor Telecommunication Enclosures

We provide superior outdoor enclosures that are ready for installation. Fill out our registration form or call us at 904-674-2976 to learn more about our products and customization services.

Purcell Systems , Equipment Enclosures & Cabinets

Purcell Systems specifically addresses operators and service providers' needs for durable equipment enclosures and modular cabinets, indoors and outdoors.



Support

We offer responsive global after-sales services, including installation guidance, training, remote



Outdoor Telecom Enclosure

When it comes to reliability, our KDM outdoor telecommunication cabinets are second to none. Built from stainless steel, aluminum, or galvanized steel, you can trust in their performance, no matter the

assistance, and maintenance advice, ensuring stable long-term system operation and reducing



Communication Enclosures

We design and manufacture UL-listed telecom cabinets that meet all National Electrical Manufacturers Association (NEMA) standards for safety, performance and quality. Depending on your location, we

Outdoor Telecom Enclosures & NEMA Cabinets , AmProD

Since 1989, we've manufactured outdoor telecom cabinets in America's Heartland, providing telecommunications companies, utilities, and network operators with BABA-compliant solutions that



Outdoor Telecom Cabinets

ABS offers a variety of cabinet solutions in multiple designs and modules to meet the needs of any installation. Focused on faster and easier cost-effective deployment, our enclosures protect critical

Telecom Cabinets , Telecommunication Enclosures , Telecom

With integrated North American manufacturing facilities and in-house engineering expertise, we can quickly customize our cabinets and enclosures to precisely meet the needs of your specific network



Contact Us

For catalog requests, pricing, or partnerships, please visit:
<https://bartstudio.biz>