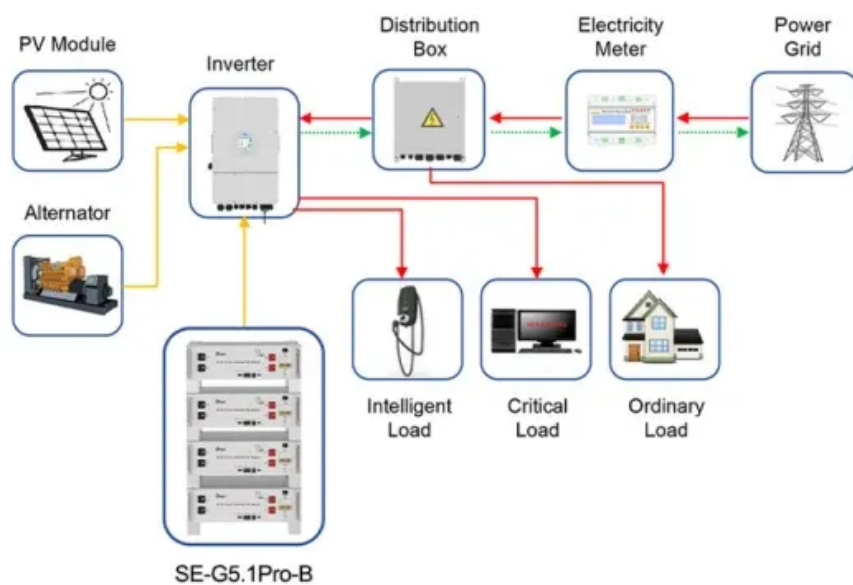


Hospital-use photovoltaic energy storage cabinet 2mwh



Application scenarios of energy storage battery products



Hospital-use photovoltaic energy storage cabinet 2mwh



High-efficiency photovoltaic integrated energy storage cabinet for

This product is suitable for large villas, hospitals, schools, airports, car charging stations, industrial and commercial energy storage, photovoltaic power stations, wind power stations. With integrated

2MWh Energy Storage System With 1MW Solar

PVMARS's 2MWh energy storage system (ESS) + 1MW solar energy is an off-grid microgrid solution. Solar panels themselves cannot store a lot of electricity, so the system uses photovoltaic panels to



2MWH Containerized Solar Battery Storage System

Polinovel 2MWH commercial energy storage system (ESS) is tailored for high-capacity power storage, ideal for large-scale renewable energy generation, PV self-consumption, off-grid applications, peak

1mwh 2mwh 3mwh 5mwh 10mwh Photovoltaic Storage System

The HJ Mobile Solar Container comprises a wide range of portable containerized solar power systems with highly efficient folding solar modules, advanced lithium battery storage, and smart energy





2MWh Energy Storage Container System

The core components include a single energy storage battery compartment, an energy storage converter, an energy management system and various auxiliary materials, each of which has been

[Lebanese hospital uses 2mw photovoltaic energy storage cabinet](#)

The Martyr Salah Ghandour Hospital in Bint Jbeil, South Lebanon was the recipient of a 540-kW solar energy system that can cover 70% of the hospital's electricity needs.



[Small-scale photovoltaic energy storage battery cabinet for hospitals](#)

This paper explores the design and implementation of self-sufficient microgrid systems tailored to meet the unique energy demands of such healthcare facilities. A solar battery cabinet integrated with

215KWH 1MWH 2MWH Commercial Battery Energy System

If you only have one power source, your system will still work seamlessly, ensuring stable energy storage and reliable power whenever you need it. The flexibility of this system allows you to stay



vietnam hospital uses 2mwh solar energy storage cabinet



Polinovel 2MWH commercial energy storage system (ESS) is tailored for high-capacity power storage, ideal for large-scale renewable energy generation, PV self-consumption, off-grid applications, peak

Contact Us

For catalog requests, pricing, or partnerships, please visit:
<https://bartstudio.biz>